

TotalCount

PC Based People Counting System

Single Entry Version, cabled to Data Point

People Walk Between Sensor
And Reflector To Trigger
Counts

TC-8 Sensor = 8 metres Sensing Range

Reflector

Photo Electric
Sensor

Joins Cat 5 to Sensor

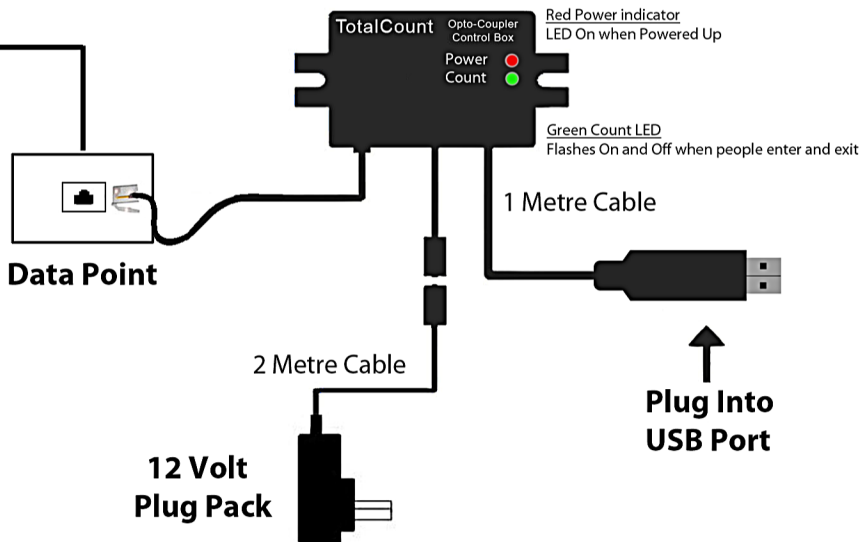
Cat 5	Sensor Cable
Orange/White	White
Blue	Blue
Blue/White	Brown
Orange	Black

TotalCount

← Cat 5 Cable

Standard Version or Professional
Version WinCounter to be installed
onto PC

Opto-Coupler Control Box



- PC needs spare USB port
- PC needs to be turned on and logged on to log the counts as they occur.
- CD Drive usually needed to load Software
- Suggested installation height of the Sensor and the Reflector is 4 ft (1.25 metres) above floor level.
- To also count small children, install at 3 ft (900 mm)
- Client to supply PC - usually WinCounter software is installed onto an existing PC - already in use.

TotalCount
Tel: +61 3 9743 5189